

Technical sheet

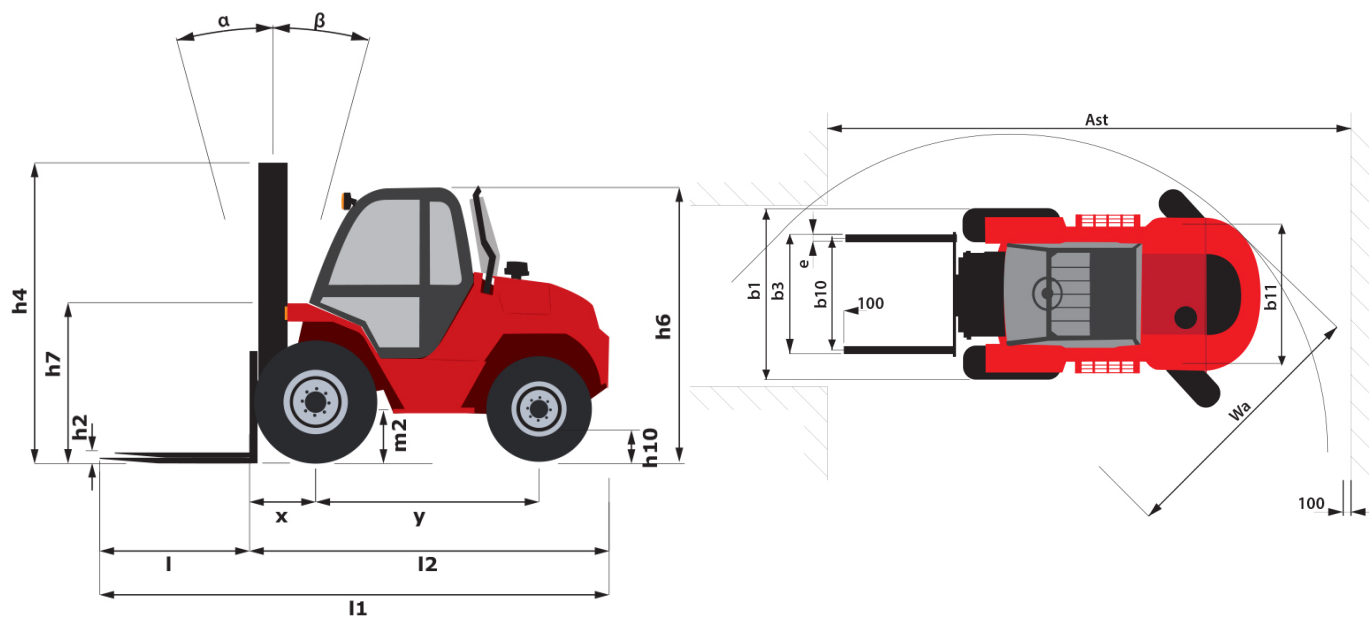
M-X 70-2

Masted Forklift Trucks



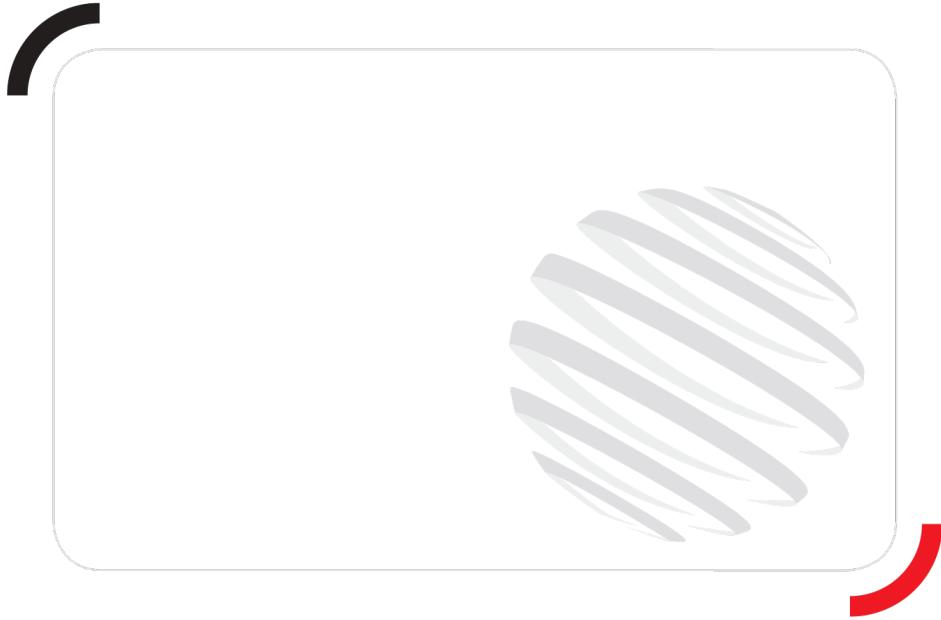
 **MANITOU**
HANDLING YOUR WORLD

Technical characteristics		Metric	Imperial
1.1	Manufacturer	Manitou	Manitou
1.2	Model	M-X 70-2	M-X 70-2
1.3	Type of traction	Diesel	Diesel
1.4	Type of operation	Seated	Seated
1.5	Q - Rated capacity	7000 kg	15400 lbs
1.6	c - Center of gravity of load	600 mm	2 in
1.9	y - Wheelbase	2490 mm	8 ft 2 in
Weight			
2.1	Weight of truck in working order	9810 kg	21582 lbs
Wheels			
3.1	Tyre equipment: bandage (V), PPS (SE), inflatable tyre (L)	L	L
3.2	Size of front wheels	18R19,5XFTL	-
3.5	Number of front wheels (x)	2x / 2x	2x / 2x
3.6	b10 - Front track	1.70 mm	6 in
Dimensions			
4.1	α / β - Front/Rear mast angle	15 ° / 15 °	15 ° / 15 °
4.2	h1 - Height (mast lowered)	2440 mm	8 ft
4.4	h3 - Lift height (Duplex mast)	4000 mm	13 ft 1 in
4.20	l2 - Length to fork heel	4160 mm	13 ft 10 in
4.21	b1 - Overall width - Single/twinned wheels	2150 mm / -	7 ft 1 in / -
4.22	e / s / l - Fork dimensions	1200 x 150 x 70	3.11 X 0.6 X 0.3
4.35	Wa - Turning radius	4210 mm	13 ft 1 in
Performances			
5.1	Speed of travel laden / unladen	24 km/h / -	14.90 mph / -
5.2	Lifting speed laden / unladen	- / 0.40 m/s	- / 1.40 ft/s
5.3	Lowering speed laden / unladen	- / 0.40 m/s	- / 1.40 ft/s
5.5	Nominal pulling force laden / unladen	7960 daN / -	17895 lbf / -
Engine			
7.1	Engine manufacturer / Type	Perkins / Stage 3A	Perkins / Stage 3A
7.2	Useful power	70 kW	70 kW
Miscellaneous			
8.2	Working hydraulic pressure for attachments	230 bar	3337 psi
8.3	Oil flow rate for attachments	85 l/min	22.44 gpm
8.4	Measured/guaranteed mean noise level at the ear of the operator	76 dB(A)	76 dB(A)



Characteristics of masts and residual capacities

Duplex Total Visibility		FVD36	FVD40	FVD45
Lift height	mm	3600	4000	4500
Residual Capacity without attachment (Industrial load chart)	kg	7000	7000	6500
Residual Capacity with integrated side shift (Industrial load chart)	kg	6300	6300	5850



Siège Social
430 rue de l'Aubinière - 44150 Ancenis Cedex - France
Tel: +33(0)2 40 09 10 11 - Fax: +33 (0)2 40 09 10 97
www.manitou.com



This brochure describes versions and configuration options for Manitou products which may be fitted with different equipment. The equipment described in this brochure may be standard, optional or not available depending on version. Manitou reserves the right to change the specifications shown and described at any time and without prior warning. The manufacturer is not liable for the specifications given. For more information, contact your Manitou dealer. Non-contractual document. Product descriptions may differ from actual products. List of specifications is not comprehensive. The logos and visual identity of the company are the property of Manitou and may not be used without authorisation. All rights reserved. The photos and diagrams contained in this brochure are provided for information only.

MANITOU BF SA - Limited company with board of directors - Share capital: 39,547,824 euros - 857 802 508 RCS Nantes